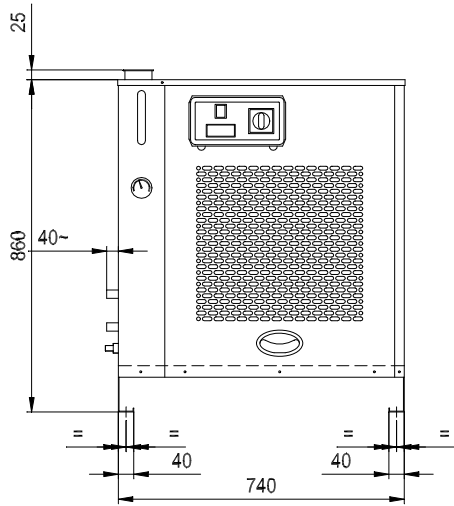
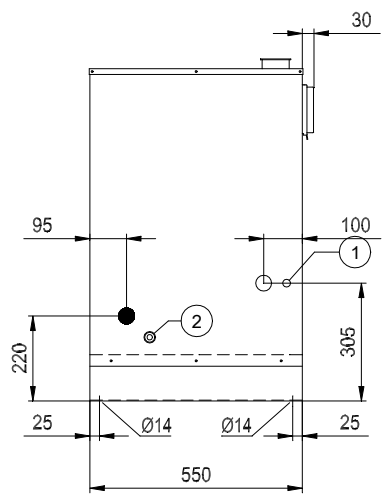




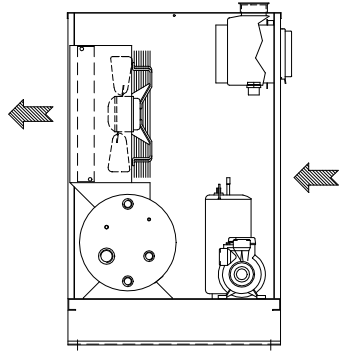
Esquema de dimensiones mod. M2 – M4 – M6



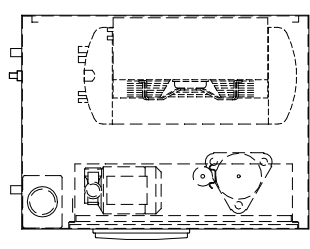
FRONT VIEW



SIDE VIEW



CROSS SECTION



TOP VIEW

- CONDESER AIR FLOW
- WATER INLET - BSP F.
- WATER OUTLET - BSP F.

- ① POWER SUPPLY
- ② WATER DISCHARGE
- ③ AIR COOLED CONDENSER

MODEL			SHIPPING WEIGHT Kg	OPERATING WEIGHT Kg
M2	1/2"	1/2"	85	110
M4	1/2"	1/2"	95	120
M6	1/2"	1/2"	115	140