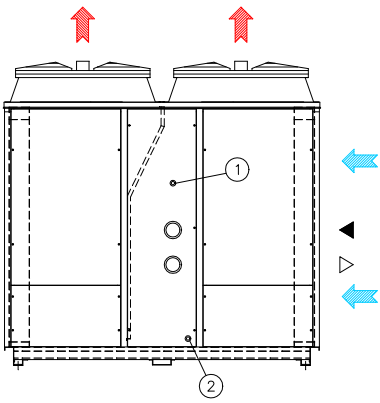
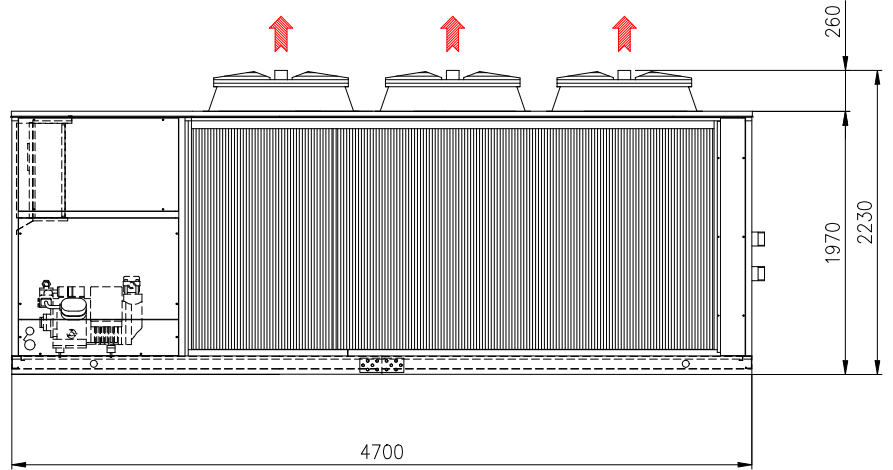




Esquema de dimensiones mod. 1402



BACK VIEW



SIDE VIEW

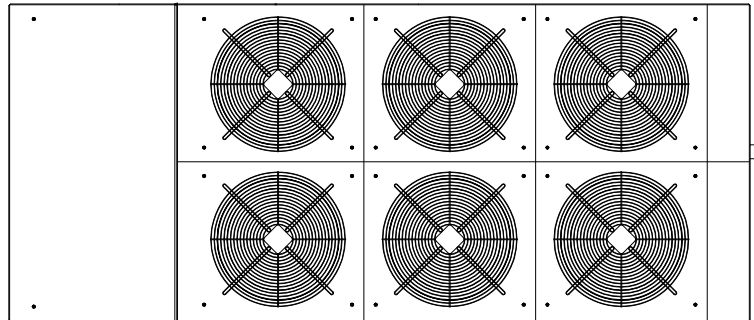
① AIR PURGE VALVE

② WATER DISCHARGE

↑ CONDENSER AIR FLOW

◀ WATER INLET DN80 - 3" - BSP M.

▶ WATER OUTLET DN80 - 3" - BSP M.



PROYING XXI INGENIERÍA SLU

C/ Vall d'Uxó 14 - Pol. Ind. Fuente del Jarro - 46988 - PATERNA - VALENCIA (SPAIN)
Telf. +34 96 134 10 79 - Fax +34 96 134 11 02

email : proying@proying.com - www.proying.com